

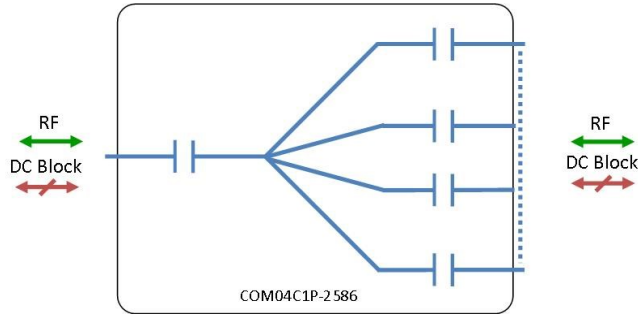


RF Components

Model Number:
COM04C1P-2586

4-Way C-Band Passive Splitter/Combiner

3.4 - 4.2 GHz



- All RF ports DC blocked
- Available with RF connector options:
- 50 Ω SMA
 - 50 Ω N-type



3.4 - 4.2 GHz
Operating frequency range. C-Band ready



Compact
Housed in rugged compact enclosure

Flexible Mounting
Tapped screw & through hole mounting options

RF Parameters		
COM04C1P-2586-XXXX	S5S5	N5N5
Frequency Range	3.4 - 4.2 GHz	
RF Connectors	50Ω SMA	50Ω N-Type
Insertion Loss (dB)	Typ.	1.2
	Max	2.0
Flatness ± (dB)	0.5	0.5
Input Return Loss (dB)	Typ.	16
	Min	10
Output Return Loss (dB)	Typ.	16
	Min	10
Isolation (dB)	Typ.	23
Amplitude Balance (dB)	≤0.15	≤0.15
Phase Balance (Φ)	≤2°	≤2°

The given Insertion Loss specified is the loss above the theoretical limit for a lossless divider

Broadcast



Marine Oil & Gas



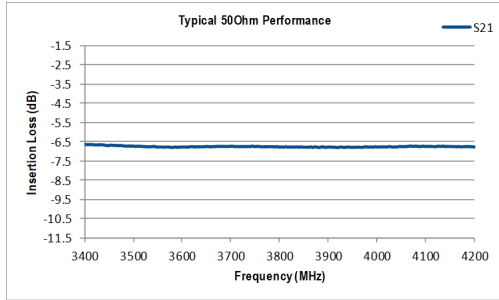
SNG & VSAT



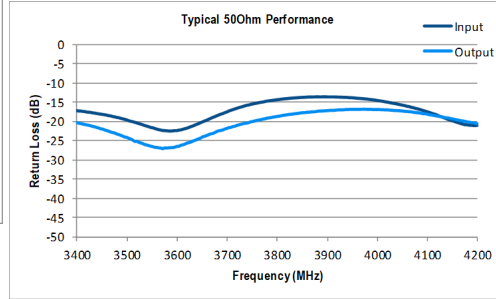
Satellite Teleport



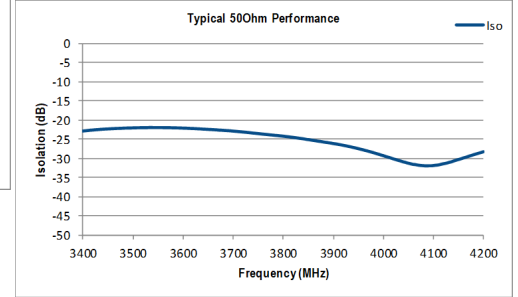
Technical specifications and operating parameters



Insertion Loss (dB)



Return Loss (dB)



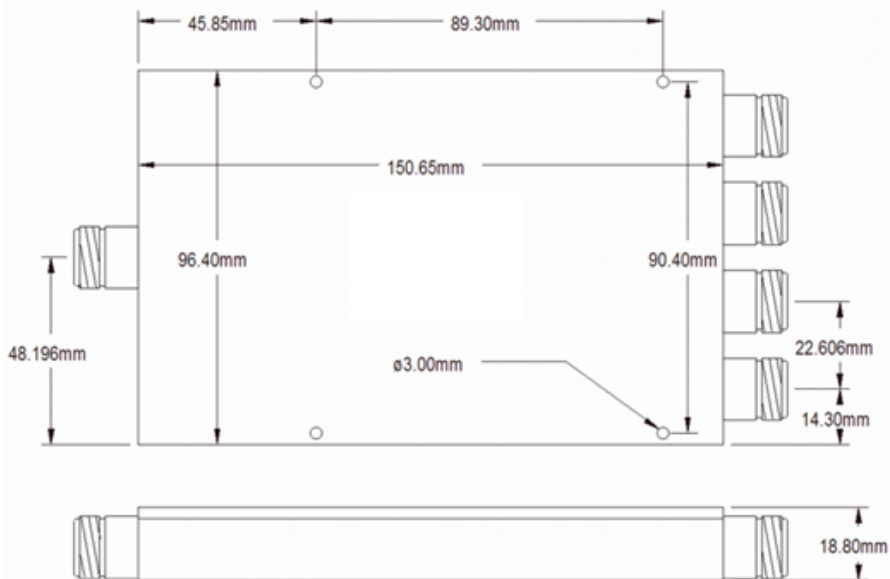
Isolation (dB)

Environmental	
Operating Temperature	0°C to +45°C
Storage Temperature	-20°C to +75°C
Location	Indoor use Only
Humidity	Max. 85% non-condensing
Altitude	Max. 10,000 feet

Max Operating Parameters	
Input RF Power	+37 dBm (5W)
DC Voltage	50V on any RF port

! Operation beyond these limits may cause instantaneous and permanent damage.

Physical Dimensions (mm)



Note: The specification is subject to regular reviews and will be updated from time to time as part of our continuing product development and improved specification accuracy.